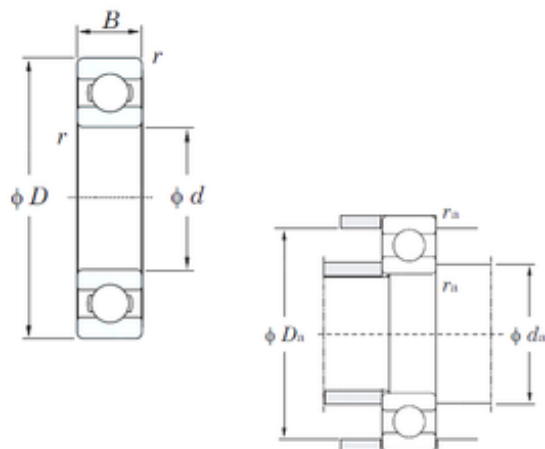




China 6205 2rs Bearing Supplier



6016 Bearing 2D drawings and 3D CAD models

Guangzhou Factory NSK NTN KOYO ZWZ
 Deep Groove Ball Bearing 6016 6017 6018 6019
 6020 6021 6022 6024 Z ZZ for Magnetic Drills

Bearing No. 6016

Size	80x125x22 mm
Bore Diameter	80 mm
Outer Diameter	125 mm
Width	22 mm
d	80 mm
D	125 mm
B	22 mm
C	22 mm
r min.	1,1 mm
da min.	86,5 mm
Da max.	118,5 mm
ra max.	1 mm
Weight	0,85 Kg
Basic dynamic load rating (C)	47,6 kN
Basic static load rating (C0)	39,8 kN
(Grease) Lubrication Speed	5300 r/min
(Oil) Lubrication Speed	6300 r/min
Category	Single Row Ball Bearings
Inventory	0.0
Manufacturer Name	KOYO
Minimum Buy Quantity	N/A
Weight / Kilogram	0.936
EAN	0605790049095
Product Group	B00308



China 6205 2rs Bearing Supplier

Enclosure	Open
Precision Class	ABEC 1 ISO P0
Maximum Capacity / Filling Slot	No
Rolling Element	Ball Bearing
Snap Ring	No
Internal Special Features	No
Cage Material	Steel
Internal Clearance	C0-Medium
Inch - Metric	Metric
Long Description	80MM Bore; 125MM Outside Diameter; 22MM Outer Race Diameter; Open; Ball Bearing; ABEC 1 ISO P0; No Filling Slot; No Snap Ring; No Internal Special Features
Category	Single Row Ball Bearing
UNSPSC	31171504
Harmonized Tariff Code	8482.10.50.68
Noun	Bearing
Keyword String	Ball
Manufacturer URL	http://www.koyousa.com
Manufacturer Item Number	6016
Weight / LBS	2.062
Outer Race Width	0.866 Inch 22 Millimeter
Outside Diameter	4.921 Inch 125 Millimeter
Bore	3.15 Inch 80 Millimeter
Bearing No.	6016
r(min)	1.1
Cr	59.5
C0r	39.8
Cu	2.25
f0	15.6



China 6205 2rs Bearing Supplier

Grease lub.	5300
Oil lub.	6300
da(min)	86.5
Da(max)	118.5
ra(max)	1
(Refer.)Mass(kg)	0.850